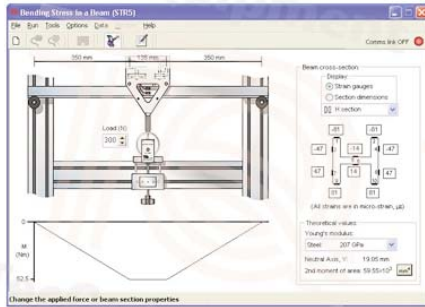


Structures

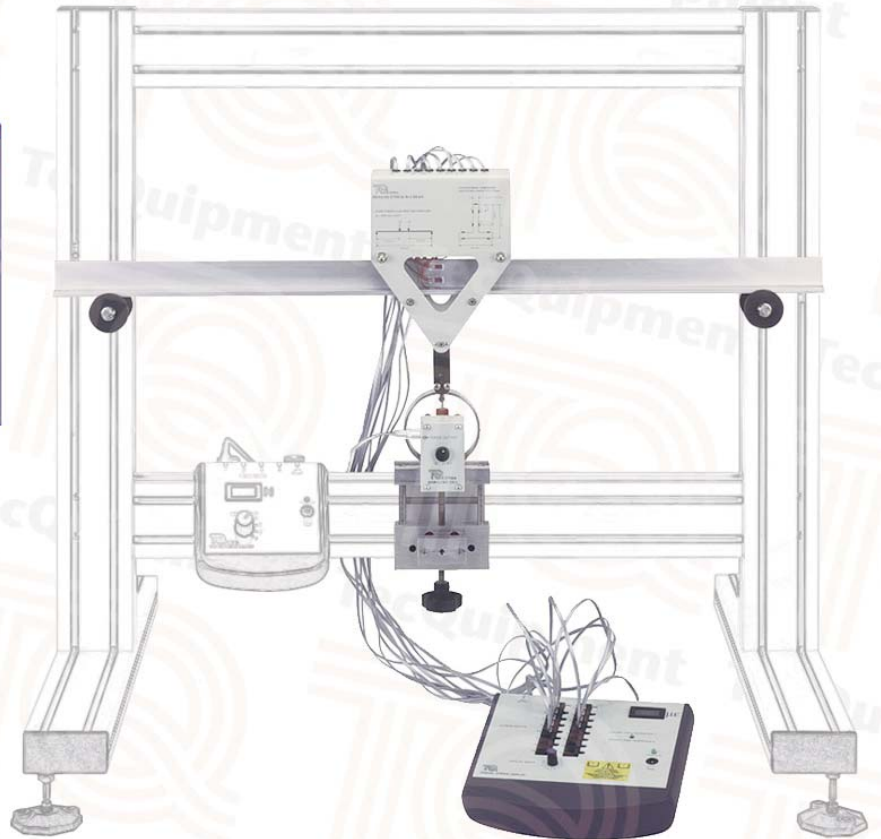
STR5

Bending Stress in a Beam

**For study of stress distribution
across the section of a beam**



Screenshot of the optional
Structures Software



- High-quality structures teaching module for students of mechanical, civil and structural engineering
- Allows safe and practical experiments into bending stress in a beam
- Realistic and verifiable experiment results
- Optional TecEquipment's Structures Software package for extra 'virtual' experiments that simulate and confirm the results from your hardware and allow extended experiments
- Optional STR2000 unit including TecEquipment's Structures Software package for automatic data acquisition **and** virtual experiments
- One of many interchangeable experiment modules from TecEquipment's modern, flexible and cost-effective Structures teaching system
- Ideal for classroom demonstrations, or students working in pairs or small groups

- TecEquipment Ltd, Bonsall Street, Long Eaton, Nottingham NG10 2AN, UK
- **T** +44 115 972 2611 • **F** +44 115 973 1520 • **E** info@tecquipment.com • **W** www.tecquipment.com
- An ISO 9001 certified company

STR5

Bending Stress in a Beam

Description

The experiment hardware is a T-beam that fits onto a Structures Test Frame (STR1, available separately).

Students adjust a load cell that bends the beam and, when connected to the optional Digital Force Display (STR1a, available separately), it measures the bending force (load). Strain gauges and a digital strain bridge measure the strains in the beam. Dummy strain gauges compensate for temperature variation and balance the strain bridges. The equipment includes a lead for connection to the Digital Force Display (STR1a, available separately).

The lecturer guide provides details of the equipment including sample experiment results. The student guide describes how to use the equipment and gives experiment procedures.

For extra 'virtual' experiments, TecEquipment can supply the optional TecEquipment Structures Software (STRS), for use on a suitable computer. The virtual experiments simulate the tests that you do with the hardware. They also extend the choice of tests than that available using only the hardware, for example: higher loads, uniform loads or different test specimens. This extends the student's learning experience.

For automatic data acquisition of your experiment results, TecEquipment can supply the optional Automatic Data Acquisition Unit (STR2000). Supplied as standard with the STR2000 is TecEquipment's Structures Software that displays and logs your experiment results and gives the extra virtual experiments.

Standard Features

- Supplied with lecturer guide and student guide
- Five-year warranty
- Made in accordance with the latest European Union directives

Experiments

Study of:

- Second moment of area
- Converting strains to stresses
- Strain gauges
- The neutral axis
- The bending equation

Essential Base Unit

- Structures Test Frame (STR1)

Essential Ancillary

- Digital Force Display (STR1a)

Recommended Ancillary

- Automatic Data Acquisition Unit (STR2000) for automatic data acquisition **and** virtual experiments

Operating Conditions

Operating environment:
Laboratory

Storage temperature range:
−25°C to +55°C (when packed for transport)

Operating temperature range:
+5°C to +40°C

Operating relative humidity range:
80% at temperatures < 31°C decreasing linearly to 50% at 40°C

Essential Services

Electrical supply:
100 VAC to 240 VAC, 1 A, 50/60 Hz, with earth

Specification

Nett dimensions and weight:
880 x 210 x 100 mm, 6.5 kg

Packed dimensions and weight:
Approximately 0.075 m³, 8 kg

Load:
Adjustable 0 to 500 N load cell with electronic force sensor

Test beam:
Aluminium T-section

Strain measurement:
Nine strain gauges (with nine dummy gauges) and a 16-way digital strain bridge

Accessories:
Vernier

- TecEquipment Ltd, Bonsall Street, Long Eaton, Nottingham NG10 2AN, UK
- **T** +44 115 972 2611 • **F** +44 115 973 1520 • **E** info@tecequipment.com • **W** www.tecequipment.com
- An ISO 9001 certified company

tradition.

innovation.

integration.

infoWERK is a leading expert in the development of eLearning courseware, learning system solutions, teaching and AV equipment.

Furthermore infoWERK is the representative and system integrator of "TecQuipment".

TecQuipment is one of the global leaders in technical teaching equipment for engineering. If you are interested in one of TecQuipment's products feel free to contact us at:



infoWERK Medien & Technik GmbH

Martinsbühel 6 / A-6170 Zirl / Austria

Phone: +43 (0) 5238 52099-0 / Fax: +43 (0) 5238 52099-40

E-Mail: info@infowerk.at / Website: infowerk.at

Otto-Dürr-Straße 25

D-70435 Stuttgart, Zuffenhausen/ Germany

Phone: +49 (0) 711 342471-0 / Fax: +49 (0) 711 342471-11

E-Mail: info@de.infowerk.at / Website: infowerk.at